



USER MANUAL

WATERTAP

Model: 390 / 490 / 750

TABLE OF CONTENTS

Dimensions and technical specifications 3
 General safety information 4
 Installation 5
 Installation height 7
 Product application 7
 Light indicator 7
 Cleaning and maintenance 8
 Timer settings 9
 Troubleshooting and corrective actions 10
 Parts list 11

SCAN AND WATCH THE CALIBRATION VIDEO



IMPORTANT!

This product falls within the scope of the WEEE directive on recycling and recovery of waste electrical and electronic equipment.

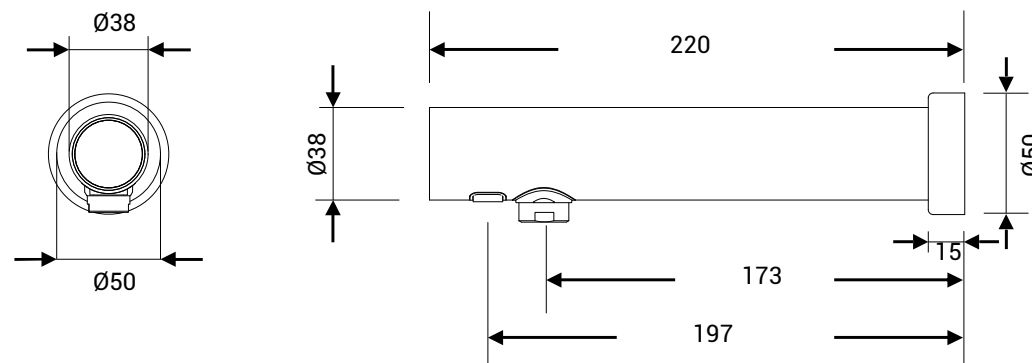


- This product should not be disposed of with general household waste.
- This product must be reused if possible.
- Contact your local authority for further details.
- This product may also be returned to the manufacturer/retailer for proper treatment, recovery and recycling.



DIMENSIONS AND TECHNICAL SPECIFICATIONS

Dimensions
 Unit of measurement: mm



TECHNICAL SPECIFICATIONS

DESCRIPTION	DATA
Material	Stainless steel - AISI 304
Voltage	6V DC, AC/DC adapter is included
Stand-by power	< 0.1 W
Sensor type	Infrared, self adjusting
Sensor range	20 mm - 150 mm. Standard 120 mm ± 20 mm, adjustable.
Suitable water temperature	4 - 60 degrees C
Suitable water pressure	7 - 87 PSI (0.5 - 6 bar)
Time protection	Stops automatically after one minute
Hygienic flush	Automatic flush 12 hours after the last use
Active water consumption	~ 4.5 litre/min
IP Class	IP35
Net weight	1.15 kg
Gross weight	1.55 kg

PRODUCT TYPE / MODEL

- 390 Stainless steel, satin finish, WaterTap Wall
- 490 Stainless steel, black PVD-coating, WaterTap Wall
- 750 Stainless steel, PVD-coating, WaterTap Wall

GENERAL SAFETY INFORMATION

WARNING

- Turn off the power to the unit before servicing or cleaning.
- Never modify the product.
- Never insert objects into any opening in the product.
- The product is not intended for playing purposes.
- Cleaning and user maintenance must be carried out by children.
- The product may only be used for the applications described in this manual.
- Do not use any accessories not recommended by the manufacturer.
- The product should be checked on a regular basis. Never use a defective or malfunctioning unit.
- The product must be installed, handled, and operated in accordance with DAN DRYER's instructions and regulations. Modification, reconstruction, or alterations to the product are not allowed. Any of these actions will result in the cancellation of DAN DRYER's warranty obligations.
- Vandalism and accidental misuse are not covered by DAN DRYER's warranty obligations.

NOTE

If the power supply cord is damaged, it must be replaced immediately. Disconnect the electricity supply cord according to instructions.

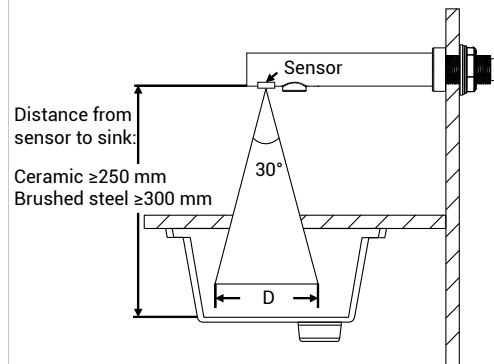
This product is not intended for use by persons (inclusive children) with reduced physical, sensory or mental capabilities, or lack of experience and knowledge, unless they are supervised or have been given instruction concerning use of the product by a person responsible for their safety.

Children should be supervised to ensure this product is used correctly.

INSTALLATION

- Make sure the main breaker is turned off. Installation must be carried out by a qualified person in accordance with applicable standards in the country concerned.

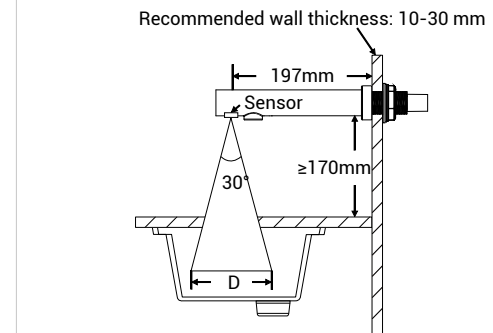
1. Check the required distance from sensor to sink.



Sensor field of view:
Object distance 250 mm: D: ≤128 mm
Object distance 300 mm: D: ≤155 mm

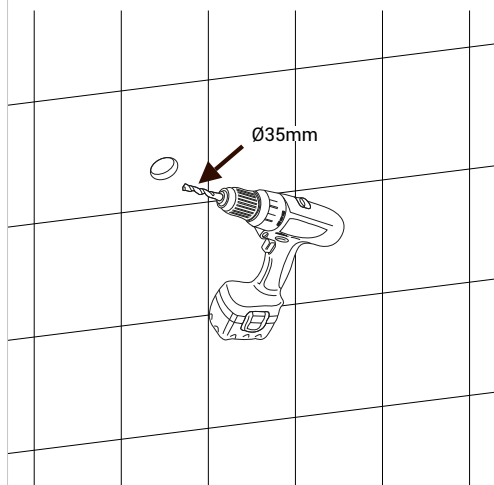
Objects within range D may cause unintentional activation.

2. Check the required distance from sensor to sink.

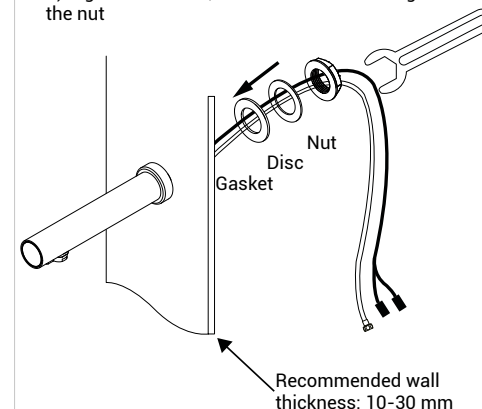


A minimum distance of 180 mm is required between each tap product.

3. Mark the desired position on the wall and drill a Ø35 mm diameter hole.

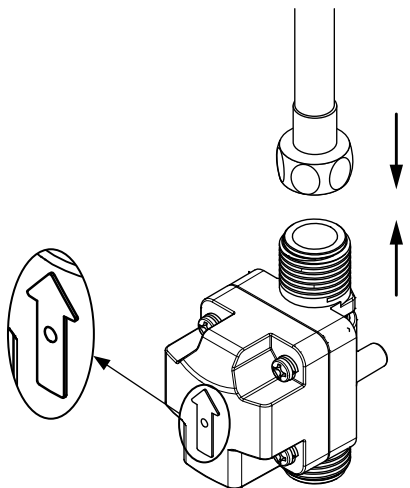


4. Installation of the tap:
A) Push the screwed bushing through the hole in the wall
B) Place gasket, disc, and nut on the threaded coupling of the tap
C) Tighten with tool, be careful not to overtighten the nut

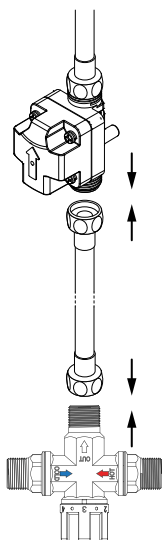


INSTALLATION

5. The solenoid valve is mounted on the watertap. Ensure the gasket is intact in the tube and the tube from the Water Tap is mounted on the valve outlet. the arrow on the back of valve indicates the water direction.

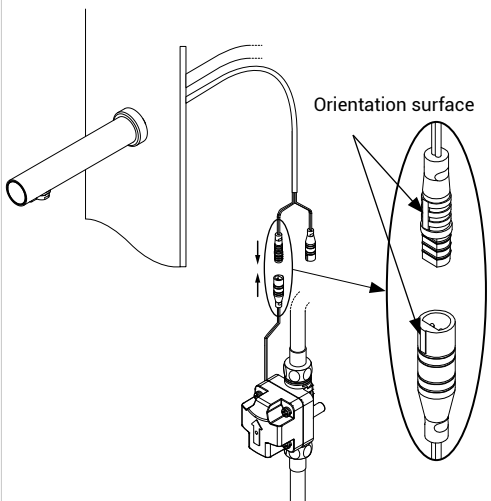


6. Connect the armoured water tube to valve inlet and water supply. Connect a mixing valve if required.

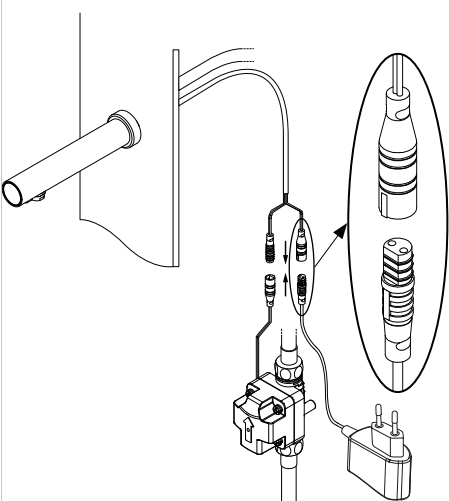


NB: A shut-off valve must be installed on the water supply line before the solenoid valve to be able to turn off the water supply in case of damage or servicing of the system.

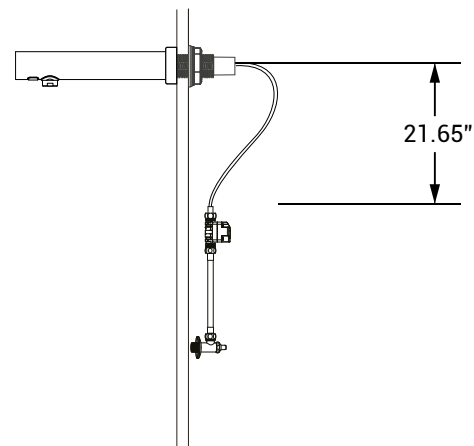
7. Connect the solenoid valve to the plug with the orange-yellow cable pair. Ensure the plug is inserted the right way up. The orientation surfaces on the plugs must point in the same direction.



8. 6VDC adapter is connected to red-brown cable pair. Ensure the plug is inserted the right way up. Connect the AC adapter side to a wall plug.



INSTALLATION HEIGHT



IMPORTANT!

- Ensure easy access to maintenance and cleaning of the unit.
- It is recommended to ensure easy access to cut the power before cleaning and maintenance.
- Do not bend the hose too sharp. It will reduce the water supply.

PRODUCT APPLICATION

- Place hands approx. 2-12 cm under the water tap sensor to activate the water flow
- Remove hands after hand washing
- Stops automatically when hands are moved away

LIGHT INDICATOR

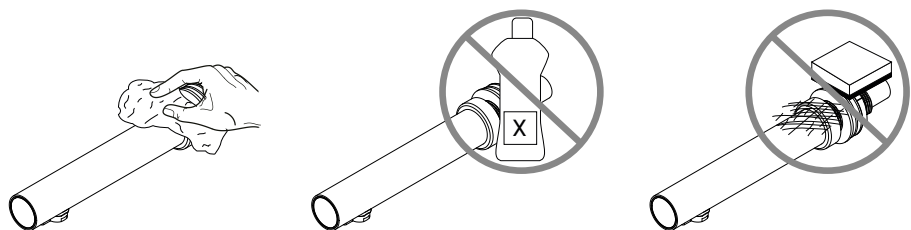
Standby	Constant blue light
Active	Pulsing light from blue to red

CLEANING AND MAINTENANCE

Routine cleaning and maintenance is recommended every 12 months. This may be required more frequently depending on the local conditions.

CLEANING AND MAINTENANCE OF TAP/SENSOR

- Do not rinse with running water
- Use a damp cloth and mild cleaning solution. Never use cleaning detergents with an abrasive effect.
- Clean sensor for dust and dirt to prevent unintentional activation



TIMER SETTINGS

CALIBRATION OF SENSOR RANGE

- Cut the power
- Connect power to the water tap
- Place your flat hand close to the sensor until the blue light on the front of the tap turns off and starts flashing red (this should be done immediately after the power is turned on)
- Move your hand to the desired activation distance
- When the tap flashes quickly, move your hand close to the sensor again and keep it there until a blue light activates
- The calibration setup has completed with the new distance and the product is ready for use

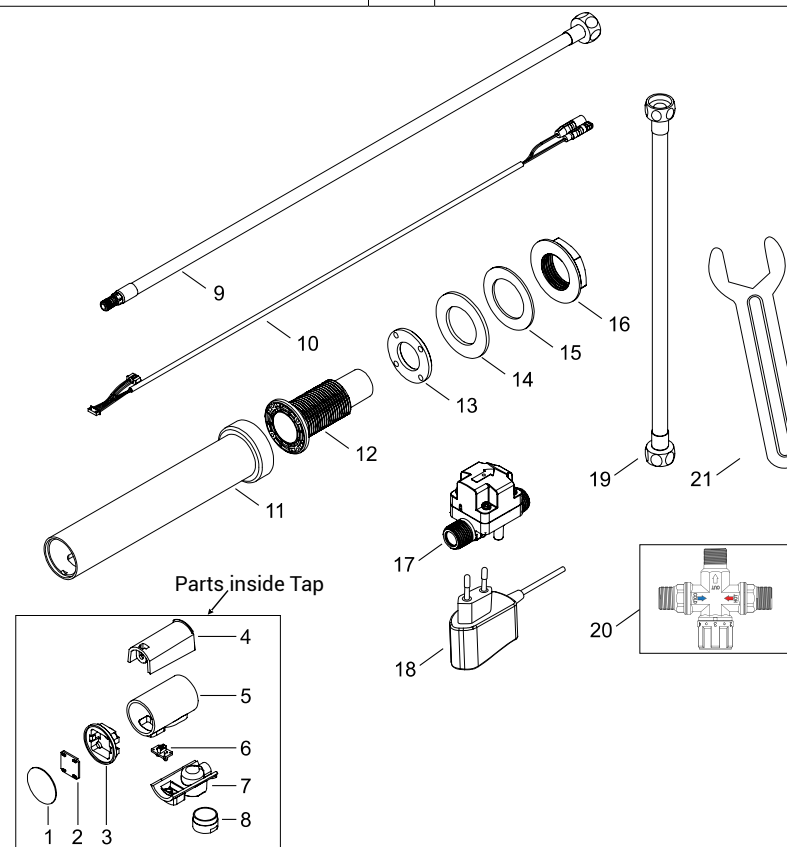


TROUBLESHOOTING AND CORRECTIVE ACTIONS

SYMPTOM	CORRECTIVE ACTION
No water coming from tap	<ul style="list-style-type: none"> • Ensure power is on. A solid blue light indicates the tap is ready for use. • Ensure water supply to the tap. Ensure the hose is not bent or twisted.. • Check the IR sensor for dirt, clean if necessary. • Cut power to the product, wait for 10 seconds and reconnect. When the blue solid light comes on, it is ready for use. • You could try to calibrate the sensor range (see section for sensor calibration, page 9) • Contact DAN DRYER A/S if none of the above options work (see back page).
Constantly running water from tap	<ul style="list-style-type: none"> • Ensure power is on. A solid blue light indicated the tpa is ready for use. • Check guideline for location of tap relative to sink (see installation point 1 & 2, page 5) • Check the IR sensor for dirt, clean if necessary. • Cut power to the product, wait for 10 seconds and reconnect. When the blue solid light comes on, it is ready for use. • You could try to calibrate the sensor range (see section for sensor calibration, page 9) • Contact DAN DRYER A/S if none of the above options work (see back page)

PARTS LIST

No.	Description	No.	Description
1	End piece	12	Plastic bushing
2	LED circuit board	13	Rubber gasket for bushing
3	Holder for LED circuit board	14	Gasket big
4	Sensor housing (upper part)	15	Disc, stainless
5	Silicone liner for sensor housing	16	Nut
6+7	Sensor and sensor housing (lower part)	17	Solenoid valve
8	Perlator	18	AC/DC Adapter
9	Flexi hose 800mm, connector 1/2" /nipple M8	19	Flexi hose 300mm, connector 1/2"
10	Cable for Water Tap	20	Mixing valve
11	TAP Water wall-mounted (contains parts 1-16)	21	Tools to fasten nut





DAN DRYER A/S

Tåsingevej 2
DK-8940 Randers SV

+45 8641 5711
info@dandryer.com
dandryer.com

